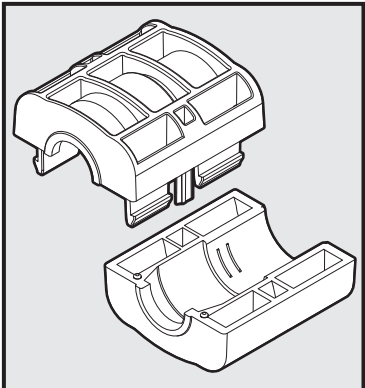


**8.5mm**

# **Divisible Duct Seal**

## Installation Instructions

### Package Contents



1.5mm-2.5mm\*



2.5mm-3.5mm\*



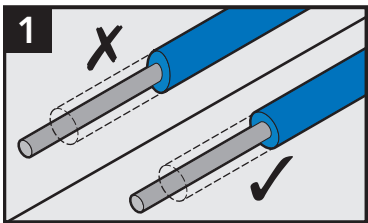
3.5mm-5.0mm\*

*\*Cable Outer Dimensions*

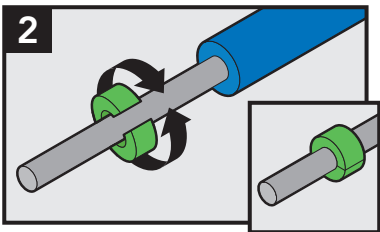


An Orbia Connectivity Solutions business.

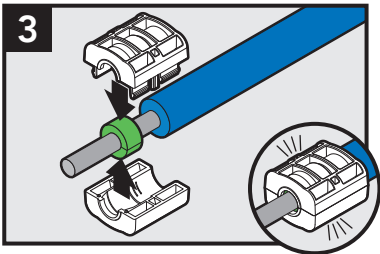
# Installation Instructions



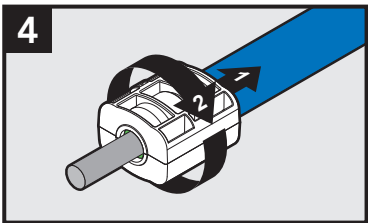
Cut duct straight.



Select required seal and install on cable.



Install cover until it clicks.



Turn connector while pushing towards the duct.